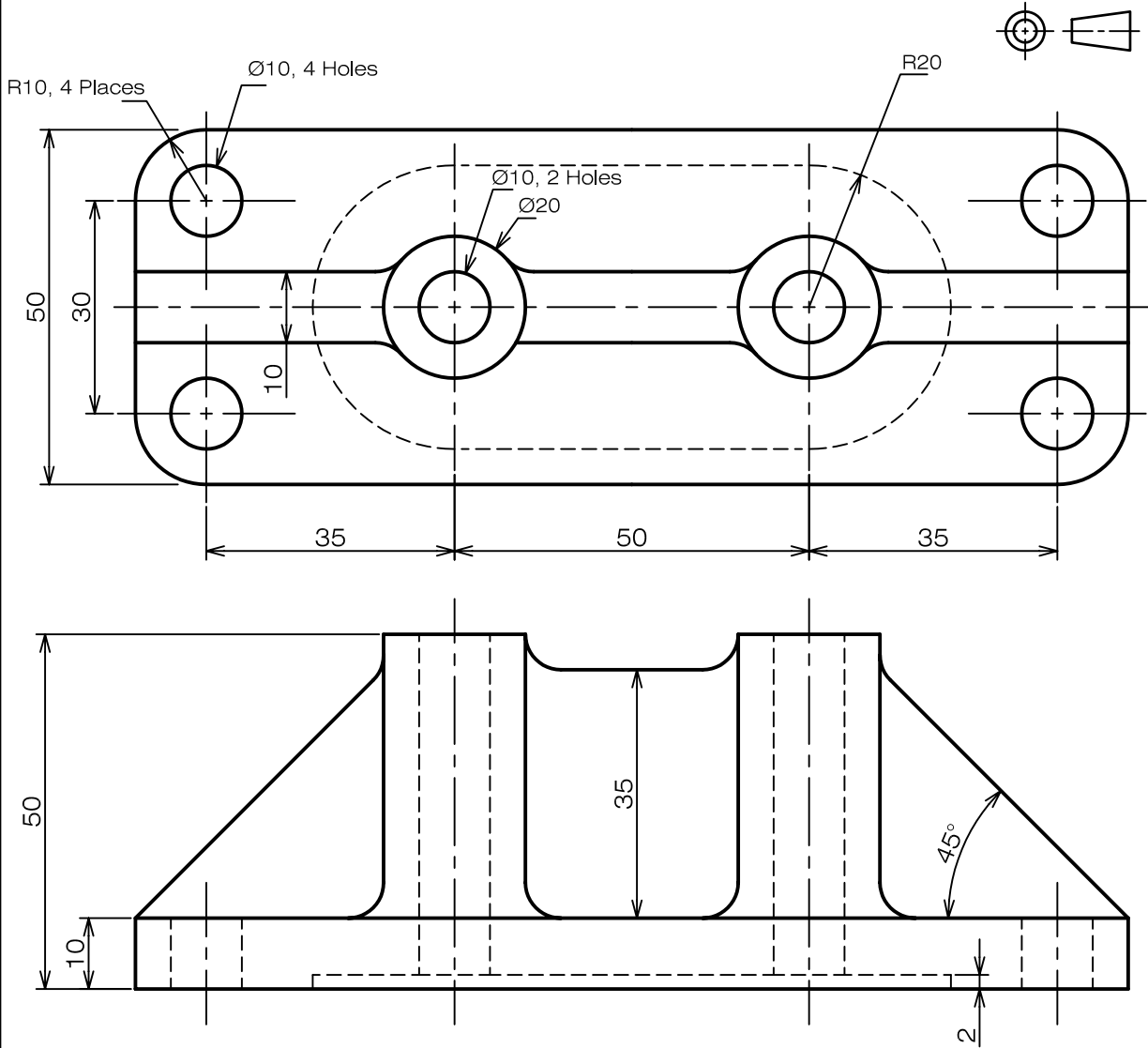


Given front and top views of an object. Draw a new front view in half-section view.



NOTE : All fillets are R5 unless otherwise specified.